

## CONDUCTIVITY CONTROL

A division of Pathfinder Instruments, LLC

800-284-9698 / 760-438-0890 / Fax: 760-438-3953

email: [info@conductivitycontrol.com](mailto:info@conductivitycontrol.com)

### TCS 1000 Series Toroidal Conductivity Sensors



---

Resists coating, corrosion and fouling

---

Durable polypropylene construction

---

Easy installation

---

PVDF or PEEK versions available

---

Connects to Rosemount or Foxboro Instrumentation

---

The Sensorex TCS 1000 series toroidal inductive conductivity sensor features a wide measurement range and dependability of toroidal technology. Resistant to corrosion, coatings and fouling common to contacting conductivity sensors, The TCS 1000 series is designed for trouble free long service life.

Polypropylene is the standard material of construction and has a wide solvent tolerance and temperature stability to 105 degrees C. Optional PEEK and PVDF(KYNAR) models are also available. All models can be submersed by utilizing the 3/4" MNPT threads on the sensor or installed in 2" NPT tees for in-line deployment. ATC element is user specified and built into the TCS sensor.

Whether you choose the TCS 1000 as an OEM component to your toroidal controller, or as a replacement for Rosemount or Foxboro, you receive superior quality at a competitive price.

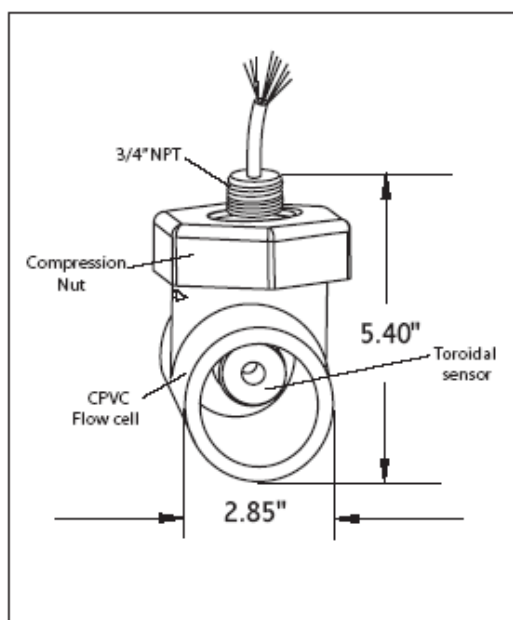


# TCS 1000 Series Toroidal Conductivity Sensors

Designed to resist coatings and fouling for trouble free long service life. Dependable toroidal technology is now a cost effective alternative to contacting conductivity sensors.

## Specifications

Measuring Range	0-2,000,000 uS/cm
Body material	Polypropylene - (Optional PVDF and PEEK)
Max Temperature	105 Degrees C
Max Pressure	150 psig
Temp Comp	(User specified temperature elements)
Cable length	20 feet, 6 conductor plus shields
Process Connection	3/4" MNPT for submersion, 2" standard tee with A1001/A1002 adapter.



## Ordering Information

The TCS toroidal sensors are submersion ready by utilizing the 3/4" MNPT threads on the top of the sensor. In-line installations are accomplished by ordering a tee adapter or flow cell listed below.

### Sensors

971530	Polypro Toroidal Sensor (Version 1) - Prior to 01-01-2005
TCS1000	Polypro Toroidal Sensor (Version 2) - After 01-01-2005
TCS1000K	Kynar Toroidal Sensor
TCS1000P	Peek Toroidal Sensor

### In-Line TEE Adapters

A1001	2" Tee Adapter Polypropylene (For use with Version 1 Polypro toroidals.)
A1002	2" Tee Adapter 316SS for use with Kynar and Peek Models
FC95C	2" Keyed slip fit flow cell (For use with Version 2 Polypro toroidals.)

## Calibration Solutions-Quarts

TDS1000	1000ppm/1417uS
TDS1500	1500ppm/2060uS
TDS3000	3000ppm/3900uS
TDS5687	5687ppm/7000uS
TDS9523	9523ppm/10000uS
TDS15000	15000ppm/16630uS
TDS30000	30000ppm/30100uS