



Submersible Galvanic Dissolved Oxygen Sensors



Large Solution Capacity for Long Term Deployment

Models for Wastewater and Aquaculture

Easy installation and maintenance

mV or 4-20mA Output Models Available

The DO6200 and DO6242 series dissolved oxygen sensors feature a large capacity electrolyte holder, positive fit and easy to replace membrane and dependable galvanic cell technology for long term deployment. The ribbed body design ensures a good grip. Ideal for Aquaculture and wastewater monitoring applications, these sensors require minimal maintenance. Teflon or High-Density Polyethylene (HDPE) membranes are available. Replacement membranes, installation tool and electrolyte are sold separately or as a convenient kit.

The DO7200 and DO7242 series use a lead anode instead of zinc (DO6200, DO6242) to improve lower end DO range (DO resolution to 30 ppb). 0-100% and 0-200% models are available.

Also offered is WPR12 membrane cleaner with optional timer and power supply. Ask for form WPR12spec or download from www.sensorex.com.

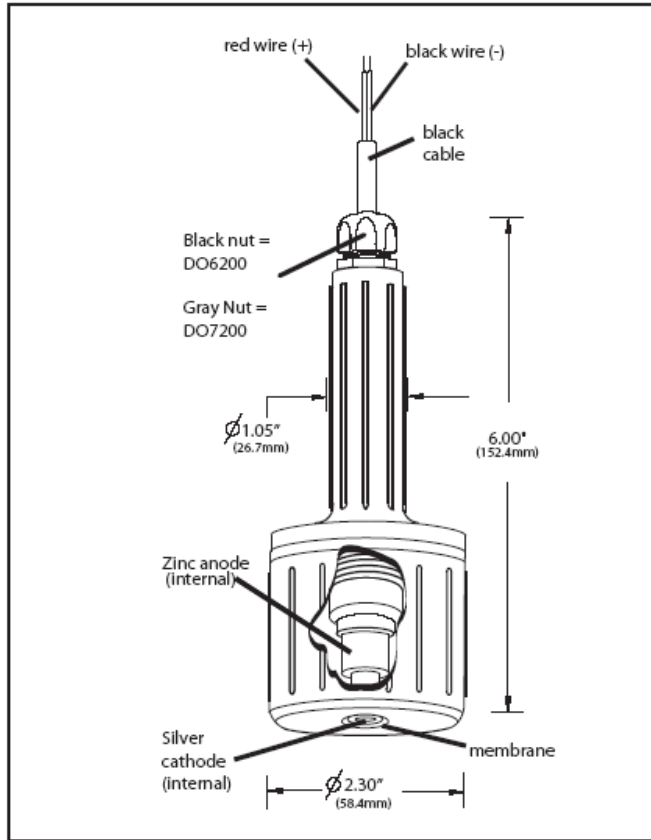
Specifications

O2 Measuring Range	DO6200 0.5-20ppm, DO7200 0.03-20ppm DO6241 (0-100%) DO6242(0-200%)
Body material	Delrin
Max Temperature	50 Degrees C
Power Requirement	12-36V DC (for models DO6241, DO6242, DO7241, DO7242 only)
Temp Comp	(User specified temperature elements)
Cable length	10 feet, tinned leads
Minimum Flow rate	2 inches per second
Output @ Air saturation	HDPE DO6200 (45mV +/- 9mV) HDPE DO7200 (45mV +/- 9mV) Teflon DO6200 (33mV +/- 9mV) Teflon DO7200 (33mV +/- 9mV) HDPE & Teflon DO6241, DO7241 - fixed 4 - 5mA = <1 ppm DO HDPE & Teflon DO6241, DO7241 - fixed 15-20 mA = saturated air HDPE & Teflon DO6242, DO7242 - fixed 4 - 5mA = <1 ppm DO HDPE & Teflon DO6242, DO7242 - fixed 7-10 mA = saturated air

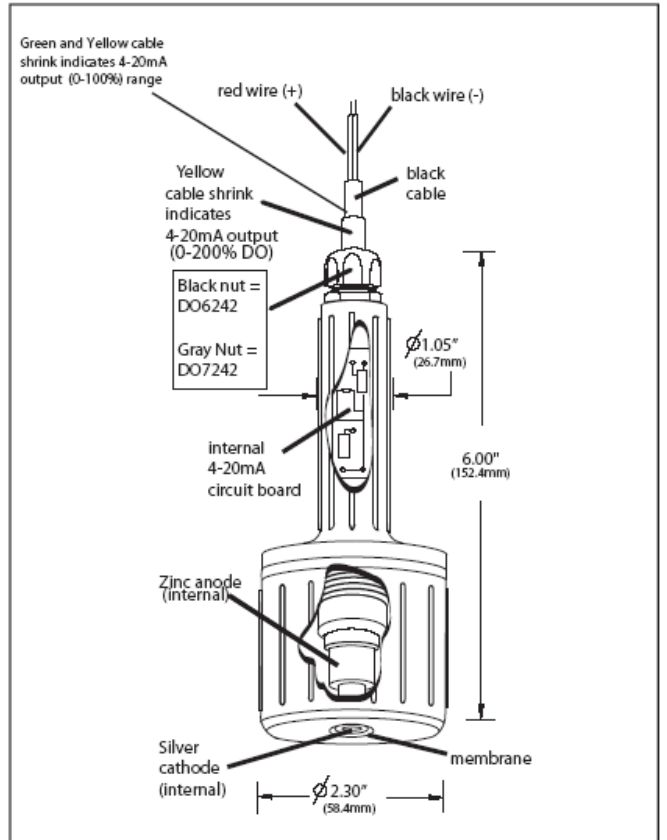


PRODUCT SPECIFICATION SHEET

OUTLINE DRAWING AND DIMENSIONS
FOR DO6200 AND 7200 SERIES SENSORS



OUTLINE DRAWING AND DIMENSIONS
FOR DO6242 AND 7242 SERIES SENSORS



ORDERING INFORMATION

Sensors	
DO6200-H	DO Sensor, HDPE Membrane
DO6200-T	DO Sensor, Teflon Membrane
DO6200-H-TC	DO Sensor, HDPE Membrane, ATC
DO6200-T-TC	DO Sensor, Teflon Membrane, ATC
DO6241-H	DO Sensor, HDPE Membrane, 4-20mA (0-100% sat.)
DO6241-T	DO Sensor, Teflon Membrane, 4-20mA (0-100% sat.)
DO6242-H	DO Sensor, HDPE Membrane, 4-20mA (0-200% sat.)
DO6242-T	DO Sensor, Teflon Membrane, 4-20mA (0-200 sat.)
DO7200-H	Low range DO sensor, HDPE Membrane
DO7200-T	Low range DO sensor, Teflon Membrane
DO7200-H-TC	Low range DO Sensor, HDPE Membrane, ATC
DO7200-T-TC	Low range DO Sensor, Teflon Membrane, ATC
DO7241-H	Low range DO Sensor, HDPE Membrane, 4-20mA fixed output (0-100% sat.)
DO7241-T	Low range DO Sensor, Teflon Membrane, 4-20mA fixed output (0-100% sat.)
DO7242-H	Low range DO Sensor, HDPE Membrane, 4-20mA fixed output (0-200% sat.)
DO7242-T	Low range DO Sensor, Teflon Membrane, 4-20mA fixed output (0-200% sat.)

Accessories	
DO6005-H	HDPE Membranes, 5 Pack
DO6005-T	Teflon Membranes, 5 Pack
DO6025-H	HDPE Membranes, 25 Pack
DO6005-T	Teflon Membranes, 25 Pack
DO6001	Membrane Replacement Tool
DO6002	DO Electrolyte, 500 ml for DO6200
DO7002	DO Electrolyte, 500 ml for DO7200
DOKIT6000-H	Kit includes: replacement tool, 500 ml DO electrolyte, 5 pack of HDPE Membranes and O-rings
DOKIT6000-T	Kit includes: replacement tool, 500 ml DO electrolyte, 5 pack of Teflon Membranes and O-rings
DOKIT7000-H	Kit includes: replacement tool, 500 ml DO electrolyte, 5 pack of HDPE Membranes and O-rings
DOKIT7000-T	Kit includes: replacement tool, 500 ml DO electrolyte, 5 pack of Teflon Membranes and O-rings

PATHFINDER INSTRUMENTS, LLC
PH; 800-284-9698 / 760-438-8090 / FAX: 760-438-3953
EMAIL: info@pathfinderinstruments.com