

1/8 DIN DUAL pH/ORP CONTROLLER WITH TEMPERATURE INDICATION MODEL 3671

FEATURES

- All solid design
- Low power consumption design, reduced internal heating thus increased reliability
- Heat cycled 100 hours before shipment
- Internal pH/ORP select switch
- Easy to install
- Set points on front panel
- Recorder output
- Temperature indication standard with Pt-100 probe
- Automatic pH temperature compensation 0 to 100°C
- Set points cover entire span
- 1/8 DIN aluminum case
- 0.56" high efficiency red LED display
- Low cost



SPECIFICATION

Range

pH	0 to 14.0
Temp °C	0 to 100
mV	-1990 to +1990

Resolution

pH	0.1
Temp °C	1
mV	10

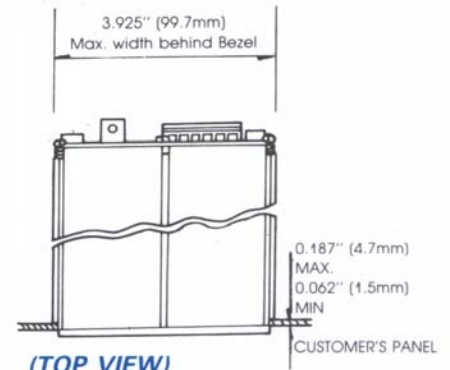
Accuracy

pH (± 1 digit)	0.1 (relative) when standardized within 2 pH
Temp (± 1 digit)	1
mV (± 1 digit)	$\pm 0.1\%$

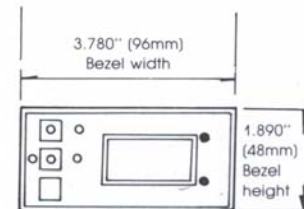
General

Input impedance	Greater than 10^{12} Ohms
Temperature compensation	Auto 0 ~ 100°C
Recorder output (full range)	
pH	1400mV
Temp	1000mV
mV	± 1990 mV
Dual point ON/OFF control	pH or ORP with internal select switch
Dead band	± 0.1 pH for each set point
Relay output	8 Amp at 115VAC, 4 Amp at 230VAC
Readout	0.56" high efficiency red LED display
Power source	115VAC, 230VAC $\pm 15\%$ 50/60 Hz
Dimension	96 mm x 48 mm x 172 mm
Weight	0.69 kg

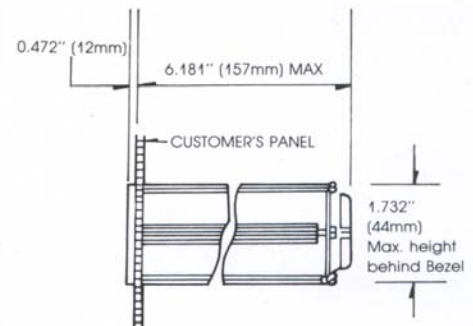
(MODE 3671)



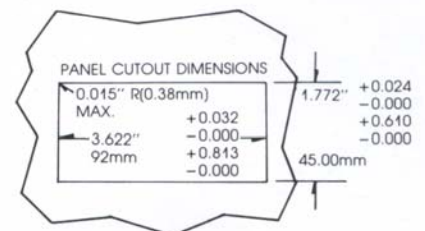
(TOP VIEW)



(FRONT VIEW)



(SIDE VIEW)



(PANEL CUTOUT)

JENCO INSTRUMENTS, INC.

7968 ARJONS DRIVE, SUITE C,
SAN DIEGO, CA 92126
TLX: 324880 JENCOI
PHONE: (619) 578-2828
FAX: (619) 578-2886